

# TEQSPORT 5<sup>th</sup> GEN 4RUNNER ROCK SLIDERS INSTALLATION MANUAL



This Installation Manual is intended for the following models:	
2010-2024	Toyota 4Runner

**PROLOGUE:**

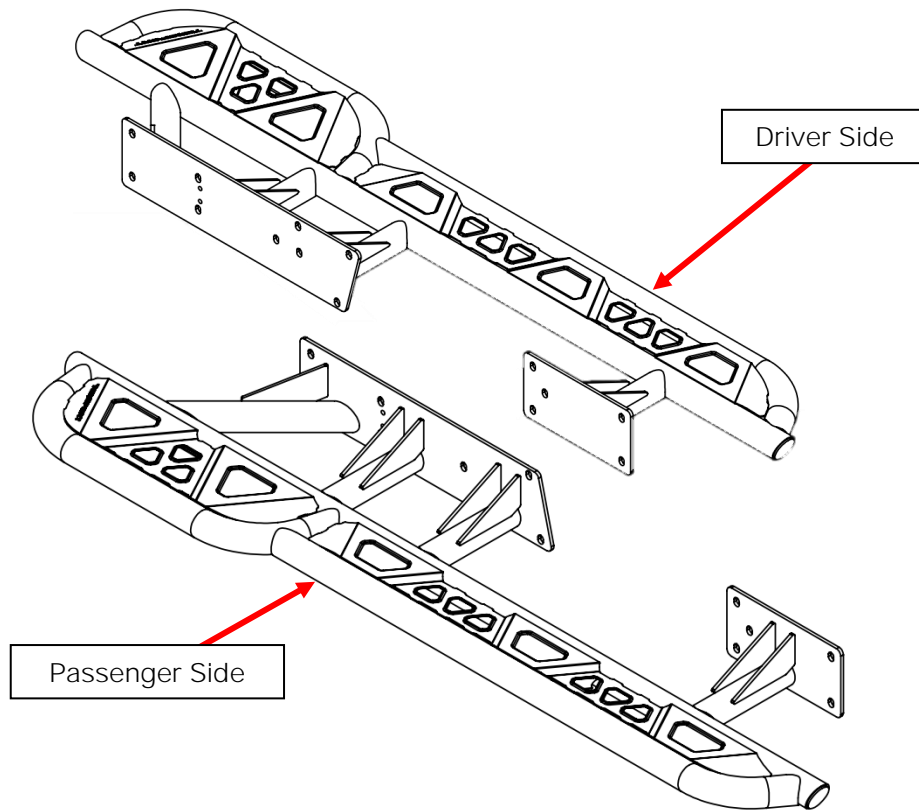
Study these instructions completely before proceeding to assembly. The installer must have a thorough knowledge of automotive systems operation. If unfamiliar with any of the concepts outlined in this instruction, we recommend the installation be completed by a qualified professional.

**WARNING!**

Extreme caution should be taken when performing maintenance or performance upgrades to your vehicle. Please observe and abide by any Warning or Caution labels placed on the various components and tools used when servicing your vehicle. If you have any questions regarding installation or the various components included with the TEQSPORT 5<sup>th</sup> Gen 4Runner Rock Sliders, consult with a Professional Mechanic, or contact TEQSPORT for more information.

PARTS INCLUDED:

Item	Quantity	Description
1	1	Driver Side Rock Slider
2	1	Passenger Side Rock Slider
3	28	M8 x 1.25 Flanged Head Screw, 30mm
4	28	M8 Washer



## TOOLS REQUIRED:

- Hydraulic Jack
- Ratchet
- Ratchet Extension(s)
- Assorted Metric Wrenches
- Assorted Metric Sockets

## SAFETY REQUIREMENTS:

- Always wear safety glasses and any necessary protective garments. If using any fluids, chemicals, or solvents, a respirator is recommended.
- Always turn the ignition to the OFF position and disconnect the NEGATIVE battery terminal.
- Always use properly rated jack stands when working under your vehicle.
- Always keep limbs and parts away from moving drivetrain parts.
- Only operate drivetrain in a safe space and well-ventilated areas.

## BEFORE YOU BEGIN:

Remove contents from the TEQSPORT 5<sup>th</sup> Gen 4Runner Rock Sliders and verify that ALL necessary hardware is present.

## PROCEDURE:

1. Place the transmission in Park position (or in Reverse gear if equipped with a manual transmission). Apply the parking brake.
2. Remove any factory or aftermarket Sliders or steps on the sides of the vehicle. This process will vary depending on what is installed. *Figure 1.*



Figure 1

3. Disconnect any brackets on the side of the Frame Rails to allow space for the Rock Sliders.
4. Clean all of the threads on the sides of the Frame Rails if they have been exposed. They will most likely be filled with dirt and debris.
5. Starting on the Driver Side of the vehicle, locate the Driver Side Rock Slider, (14) fourteen M8 x 1.25 Flanged Head Screws and (14) fourteen M8 Washers. Use a jack and lift the Rock Slider slowly up and into position on the Frame Rail. Having a partner help with this can ease installation. *Figure 2.*



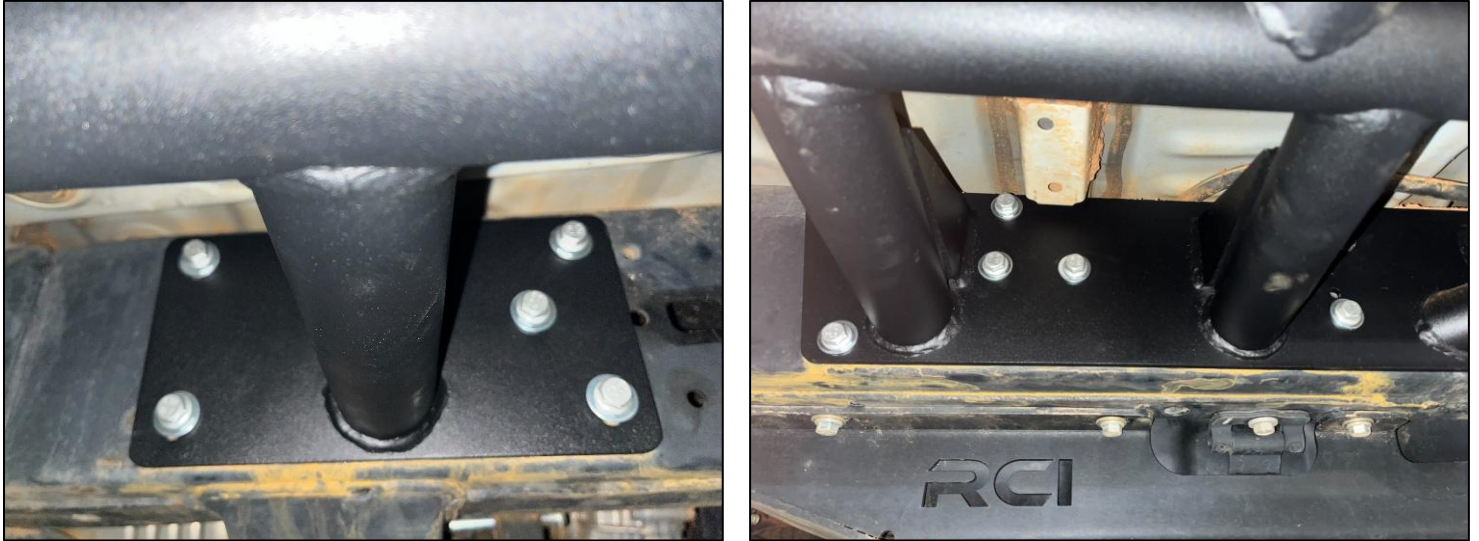
Figure 2

6. Line up the Holes on the Rock Slider Bracket with the holes on the Frame Rail. *Figure 3.*



*Figure 3*

7. Place (1) one M8 Washer on every Screw, then loosely secure the Rock Slider to the Frame with the Hardware in all (14) fourteen holes. *Figure 4.*



*Figure 4*

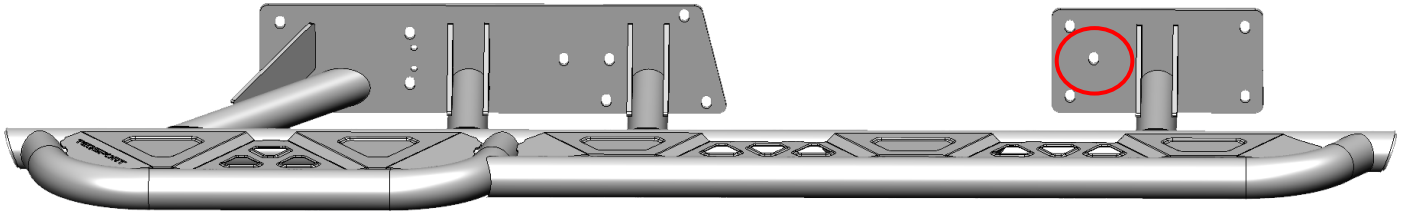
NOTE: The Brake Line Bracket can be reinstalled on top of the Rock Slider and secured with the new Hardware. *Figure 5.*



*Figure 5*

8. Adjust the Rock Slider as necessary and tighten all Hardware to fully secure the Slider.
9. Repeat Steps 5-9 on the Passenger Side of the vehicle.

NOTE: On the Passenger Side of the vehicle, one of the OE Holes on the Frame is not threaded. If you desire to secure the Slider here, a nut must be sourced to secure the Screw to the Frame. *Figure 6.*



*Figure 6*

END

Additional Technical Support:  
Contact TEQSPORT at [info@teqsport.com](mailto:info@teqsport.com)  
Or call 770-832-7184 between 9am and 6pm ET